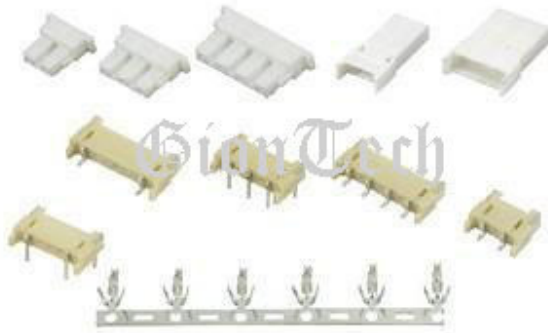


4.0mm WTB (KH) Series Connector:

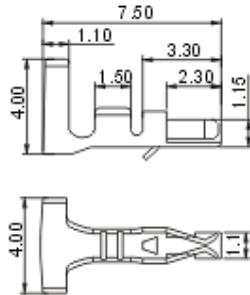


SPECIFICATIONS

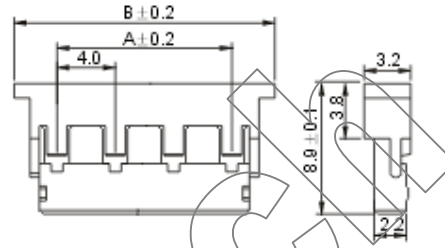
Pitch:	4.0 mm
Useable Wire Range:	AWG 24# ~ 18#
Current Rating:	7A, AC, DC
Voltage Rating:	600V, AC, DC
Operating Temperature:	-25°C ~ +85°C
Relative Humidity:	93%, +40°C
Dielectric Withstanding:	2000V AC/minute
Contact Resistance:	≤ 10 mΩ/Contact
Insulator Resistance:	≥ 1000 MΩ at 100V
Material:	
Base:	Nylon6T/ LCP, UL94V-0
Contact Pin:	Brass
Housing:	Nylon66, UL94V-0
Terminal:	Phosphor Bronze

ROHS Compliance

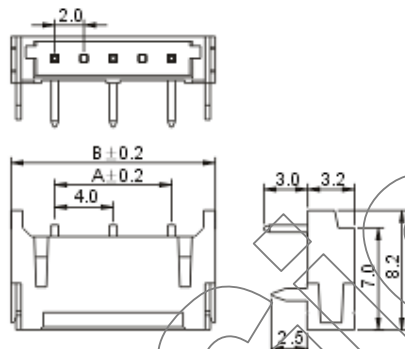
KH-T



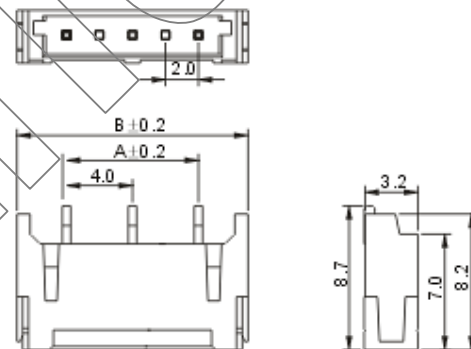
KH-XY



KH-XAW(2P)



KH-XAWB(2P)



Circuit	Part No.			Dimensions (mm)	
				A	B
2	KH-2Y	KH-2AW(2P)	KH-2AWB(2P)	4.00	10.00
3	KH-3Y	KH-3AW(2P)	KH-3AWB(2P)	8.00	14.00
4	KH-4Y	KH-4AW(2P)	KH-4AWB(2P)	12.00	18.00
5	KH-5Y	KH-5AW(2P)	KH-5AWB(2P)	16.00	22.00
6	KH-6Y	KH-6AW(2P)	KH-6AWB(2P)	20.00	26.00